



### Advisory 21-05: Axon TASER 7

To: All Providers

From: Jeremy T. Cushman, MD, MS, EMT-P, FACEP, FAEMS  
Regional Medical Director

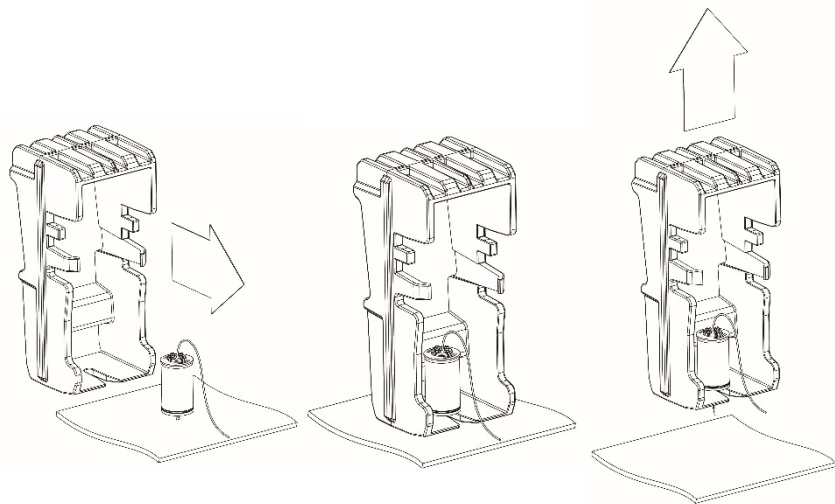
Date: April 6, 2021

Some law enforcement agencies locally are beginning to phase in the use of the Axon TASER 7. Regional policy surrounding the assessment, management, and probe removal remains unchanged.

The Axon TASER 7 projectile is larger in size as the conduction wire is stored inside and unspools as it travels. The barb itself is nearly identical. See image to the right: Top is the Taser X2 versus Taser 7 below (Courtesy of <http://wdforensic.com/the-axon-taser-7/>).



The new probe can be removed in a similar fashion as the old probe and as outlined in Regional Policy. New to the TASER 7 is a probe remover which is built in to the cartridge safety clip. This can be used to securely remove the barb from the skin. Detailed instructions can be found at <https://help.axon.com/hc/en-us/articles/360011032994-Probe-Removal-and-Handling-Used-Probes>: the cartridge safety clip is yellow and can be used to safely remove the device in the fashion identified in the images below.



With any questions do not hesitate to contact this office.

**web** www.mlrems.org  
**phone** (585) 463-2900  
**fax** (585) 473-3516

**office**  
44 Celebration Drive, Suite 2100  
Rochester, NY 14620

**mailing**  
601 Elmwood Avenue, Box 655-P  
Rochester, NY 14642